

TOP SECRET

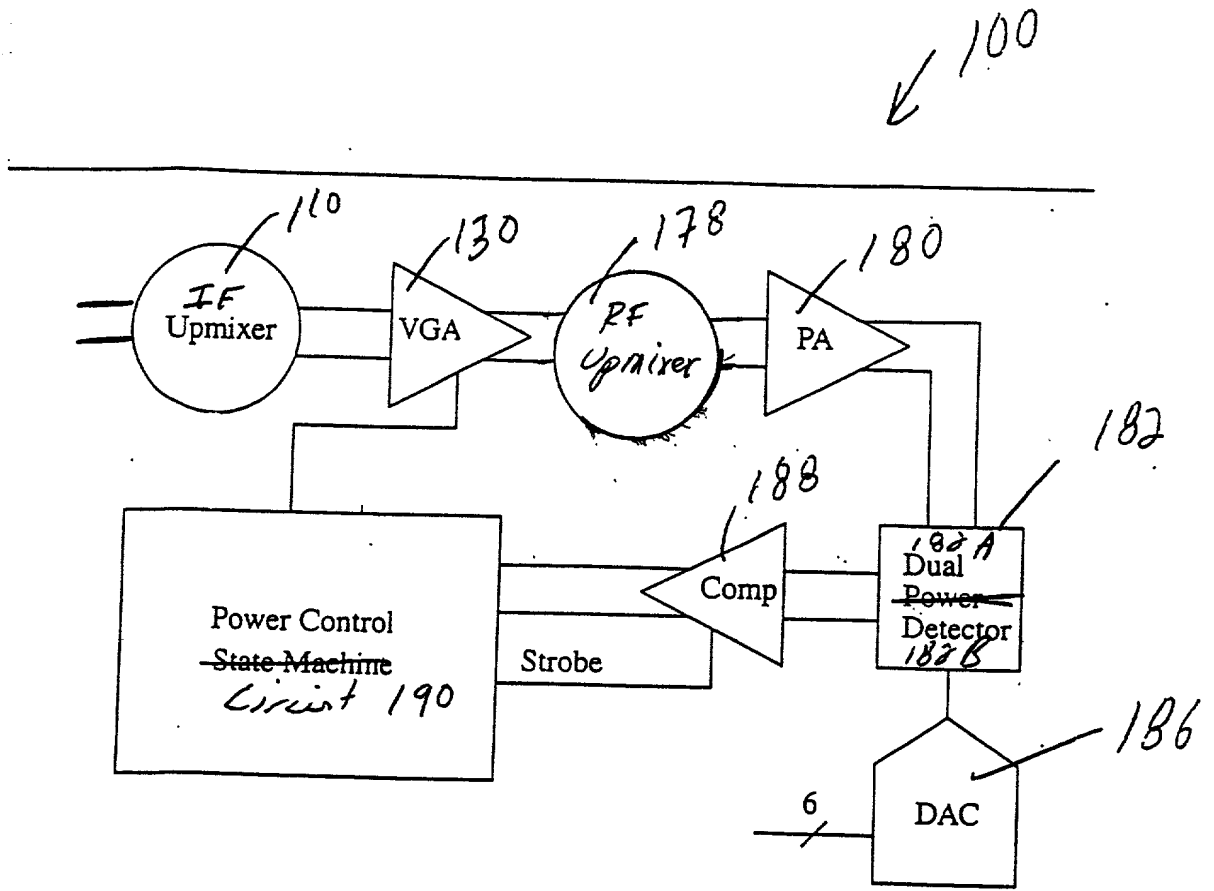


Fig 1

FIGURE 2

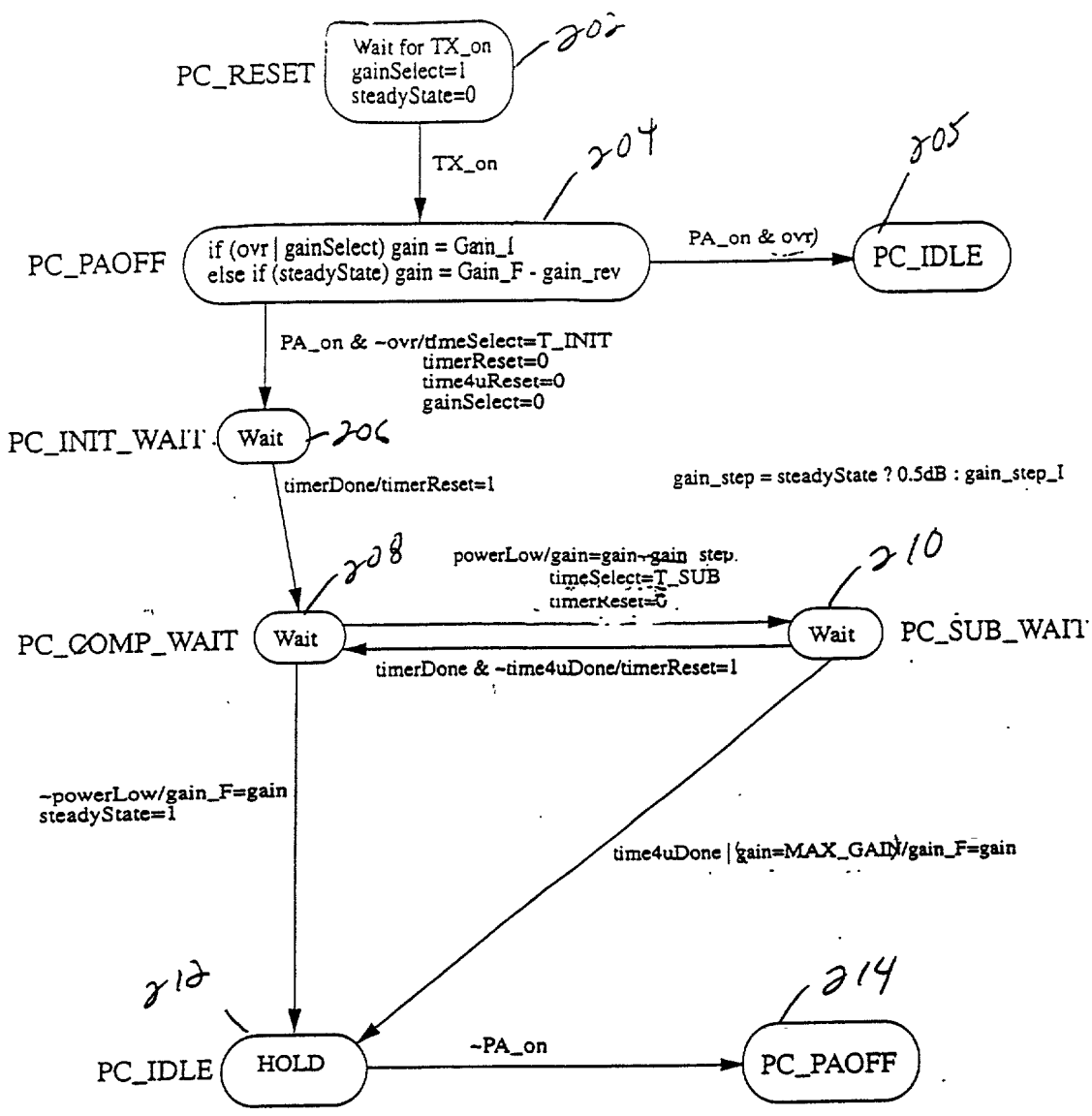


Fig 2

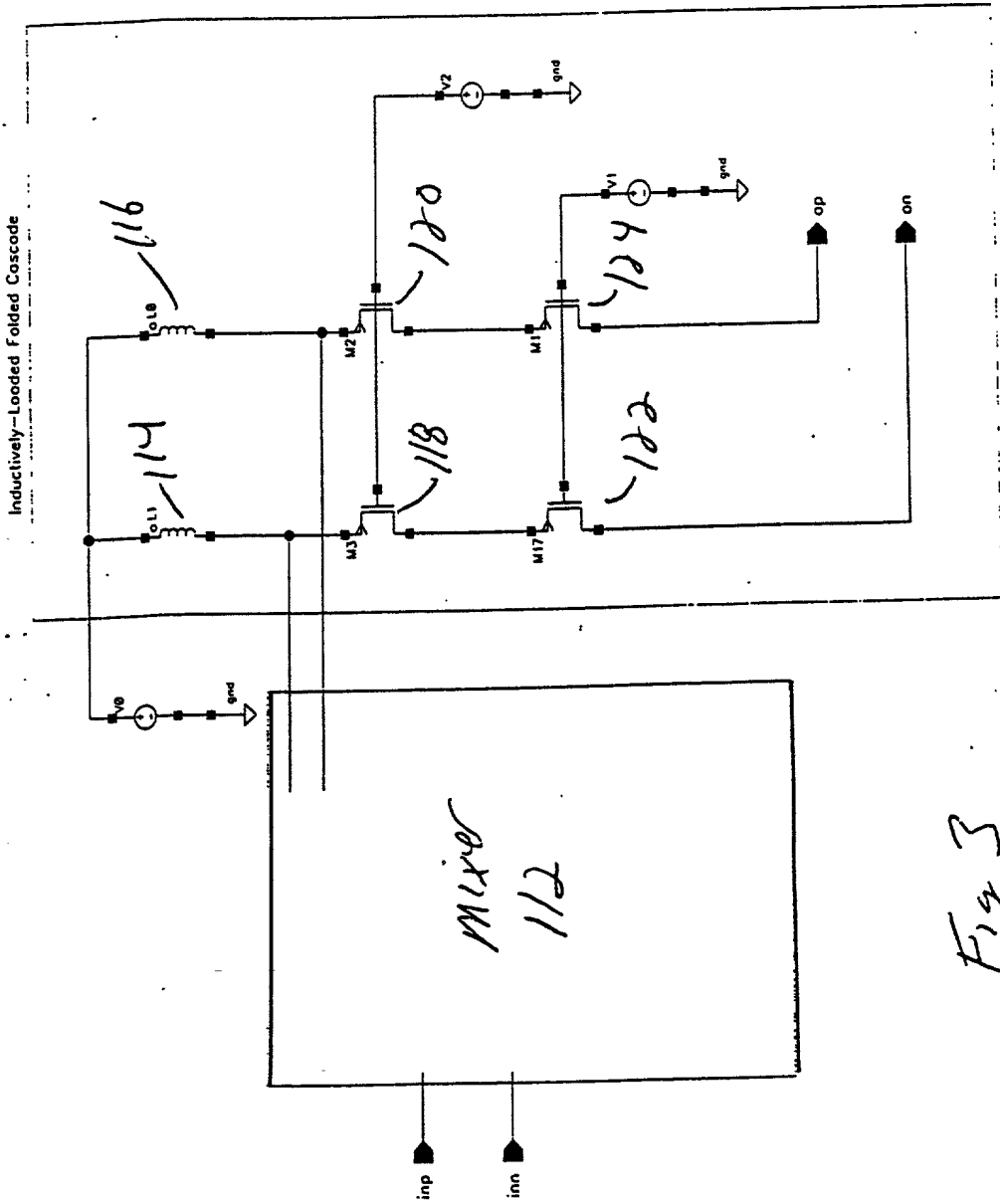


Fig 3

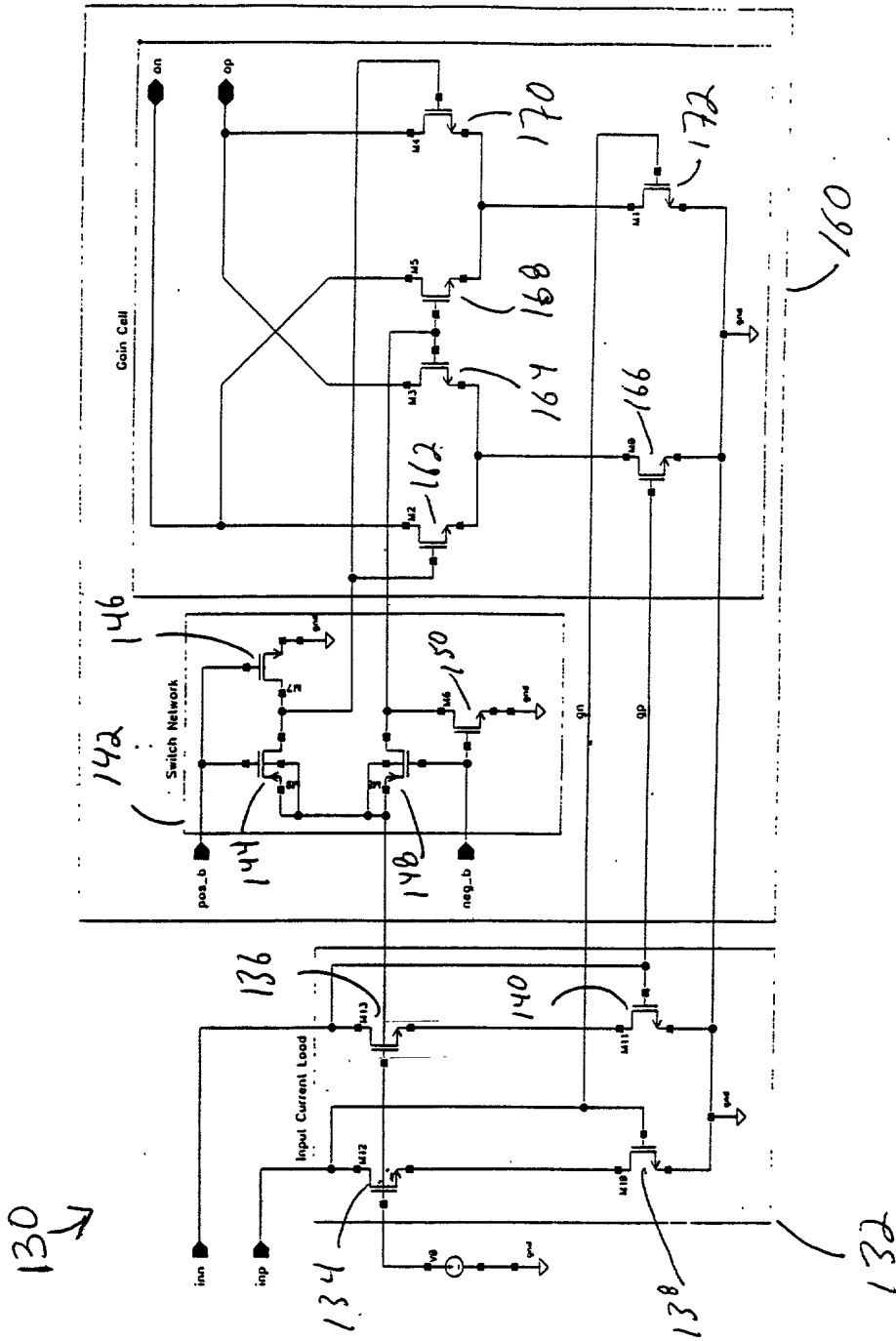


Fig 4